

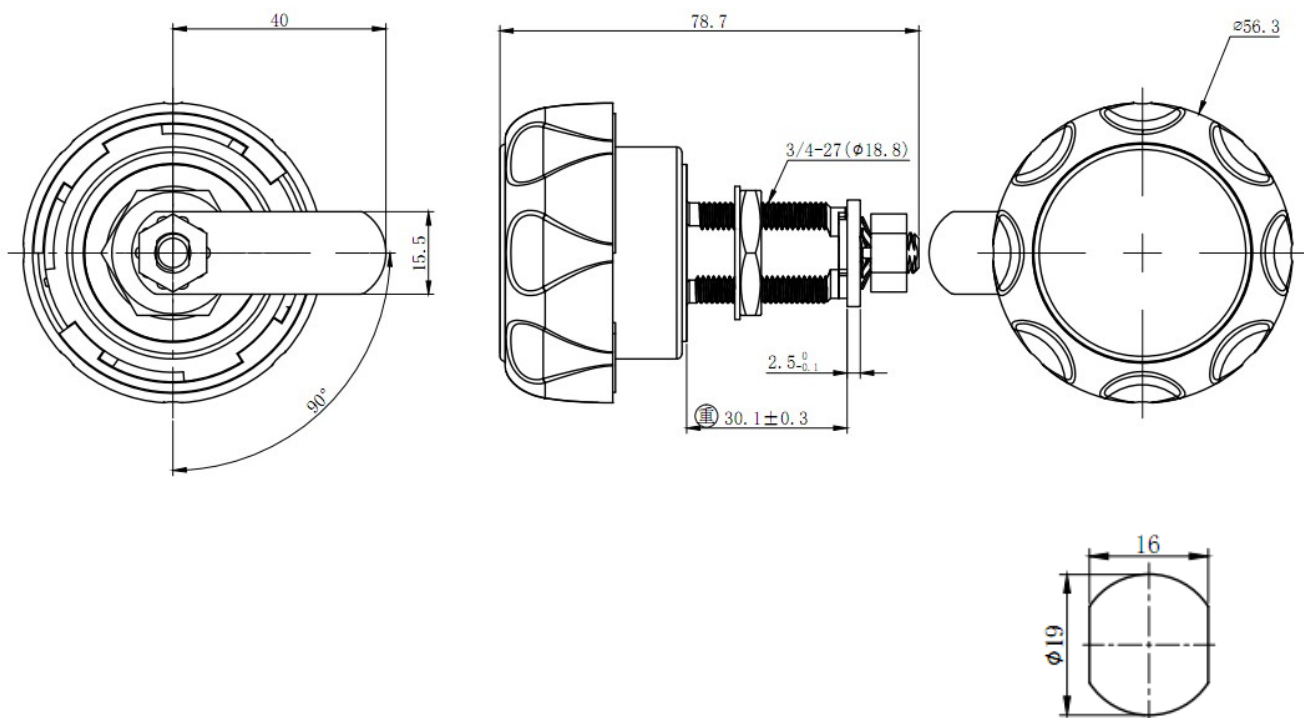
RFID Cam Lock Product Guide

Item No.: MK726

Material: Zinc alloy, nylon, steel

Features:

- Support almost Mifare classic solutions in the area of 13.65MHz
- Compatible with already existing Mifare one system
- Three level system for user administration
- Quick and easy operation
- No external programming devices needed
- LED in 2 colors for lock status(green ,red)
- Use condition: temperature: $-15^{\circ}\text{C}\sim 60^{\circ}\text{C}$; Humidity: 5%~95%
- Application for metal ,wooden and plastic doors,
- Can be used right/left handle ,door thickness up to 20mm



Mounting hole

Programming Manual

I. 3-level management

1ST level: Main-admin Key: Programming/delete admin card; No unlocking function

2nd level: Manager Key: Programming/delete user card; open the lock

3rd level: User key: Open the lock

II. Programming RFID cards

Programming a Main-Admin card:

- Read the Main Admin card 1~2 seconds. (Green light flash), setup successfully.

Programming a Manager card:

Step 1: Read the Main-Admin card 1~2 seconds (green light flash), remove the card

Step 2: Read the Manager Card t1~2 seconds. (Green light flash), remove the card

Step 3: Read the Main-Admin card once again (green light flash), remove the card;

Setup successfully.

- Repeat this procedure for all Manager Cards that you'd like to programme (max. 10 cards).

Programming a User card:

Step 1: Read the Manager card 1~2 seconds (green light flash), remove the card

Step 2: Read the User card t1~2 seconds. (Green light flash), remove the card

Step 3: Read the Manager card once again (green light flash), remove the card;

Setup successfully.

- Repeat this procedure for all user cards that you'd like to programme (max. 10 cards).

The card types for option:



Card

Fob



Wristband

