

## Product Description

Wafer Barrel

Hosing & Barrel made of Zinc Alloy

Over 5,000 different key combination codes

Optional master key system

Application: Metal/Wooden Cabinet, Storage, drawer, furniture, vending machine, gaming machine, etc.

## Features:

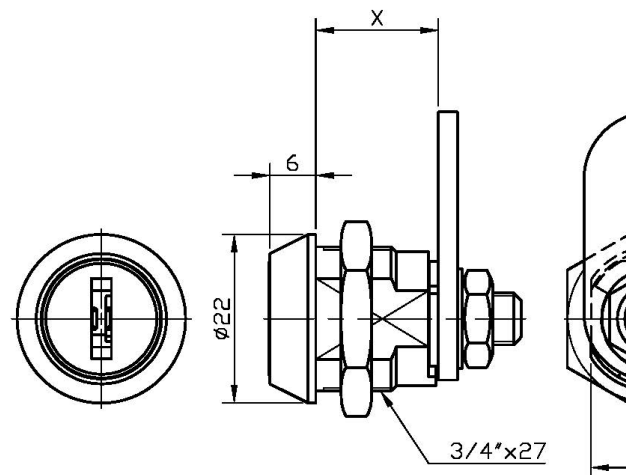
More key codes than the usual wafer flat key locks

The key is special, so it is not easy to get copied

Higher Security than the usual wafer flat key locks

The key cutting machine is special, few manufacturers make this kind of key locks right now.

The inward (inside) key cutting makes the key not easily hurt stuff if the users put the keys in the bags or pocket



Item No.	Key Rotated Direction	X	Key Rotated Direction Fig	
11040312	A	16	↑ Key Pull	Vari
11040322	B or C		↑ Rotation	cus
11040313	A	--	↷ Direction	Insi