

Product Description

Material: Brass Housing and Zinc Alloy barrel

Finish: Chrome / Nickel Plated

Application: Metal/Wooden Cabinets, Safety box, Locker/ Furniture, Vending Machine, etc. Over 10,000 key combinations

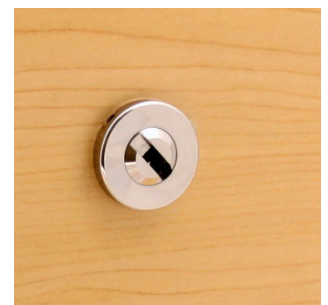
Increased Security- High security dimple lock offers added security level for cabinets, tool boxes, mailboxes, enclosures, especially in retail, healthcare or educational applications. The dimple lock is perfect for retail and educational businesses. Any retail establishment with the need to have a higher security lock for their cabinets or drawers will benefit from the high security dimple locking system.

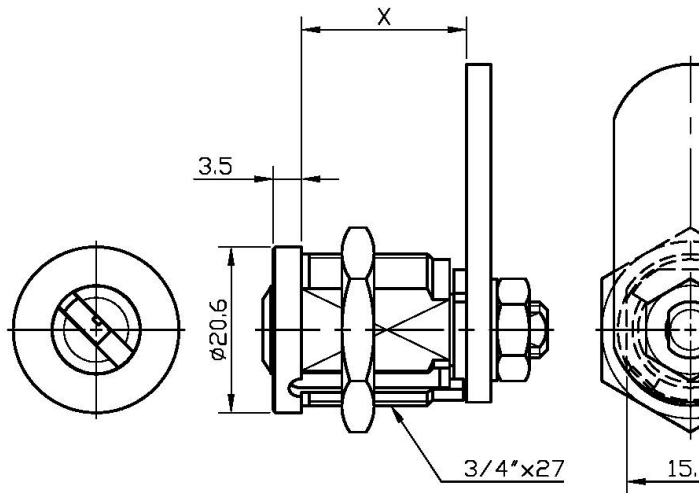
Easy-to-Use

High security dimple locks are designed for use in applications requiring higher security. ABA Standard cylinder length fits perfect on any material thickness up to 9/16"(different size available per request). The dimple lock comes in chrome finish with brass housing and zinc alloy barrel. The dimple cam locks are ideal for a wide variety of uses especially in high security areas.

Easy Installation

The high security dimple cam locks are a perfect security solution for areas needing a high security level, especially in cabinets, vending machines, amusement machines, lockers, safes, etc. Housing is made of brass and the barrel is made of zinc alloy, and come with high security dimple keys. The dimple lock is easy to install on any cabinet, drawer, enclosure, etc.





Item No.	Key Rotated Direction	X	Key Rotated Direction Fig	
10942910	A	20.5	↑ Key Pull ↑ Rotation ↘ Direction	Various custom Instal